

Compact Head-on PMT

Photon Counting Head H7828 Series



The H7828 series is a photon counting head device containing a 19-mm (3/4") diameter head-on photomultiplier tube, a high-speed photon counting circuit, and a high-voltage power supply circuit. The high voltage supply for photomultiplier tube and the discrimination level are preset to optimum values, allowing photon counting measurement by just connecting a +5 V supply. Despite its compact size, the effective photosensitive area is as large as 15 mm in diameter, so the incident light can be collected very efficiently. Compared to other PMT modules, the H7828 series has higher resistance to vibration and shock, making them suitable for portable or mobile measurement equipment.

Product Variations

Type No.	Spectral Response	Features
H7828	300 nm to 650 nm	For visible range
H7828-01	300 nm to 850 nm	For visible to near IR range

This product can't be used at vacuum environment or reduced pressure environment.

Specifications

(at +25 °C)

Parameter		H7828	H7828-01	Unit
Input Voltage		+4.5 to +5.5		V
Max. Input Voltage		+6		V
Max. Input Current		60		mA
Effective Area		φ15		mm
Peak Sensitivity Wavelength		420	380	nm
Count Sensitivity	Typ.	300 nm	2.1×10^5	1.7×10^5
		400 nm	3.6×10^5	2.1×10^5
		500 nm	2.8×10^5	1.6×10^5
		600 nm	5.0×10^4	1.0×10^5
		700 nm	—	5.9×10^4
Count Linearity *1		1.5×10^6		s ⁻¹
Dark Count *2	Typ.	200	2000	s ⁻¹
	Max.	500	3500	
Pulse-pair Resolution		70		ns
Output Pulse Width		30		ns
Output Pulse Height *3	Min.	3.0		V
	Typ.	3.5		
Recommended Load Resistance		50		Ω
Signal Output Logic		Positive logic		—
Operating Ambient Temperature *4		+5 to +40		°C
Storage Temperature *4		-20 to +50		°C
Weight		70		g

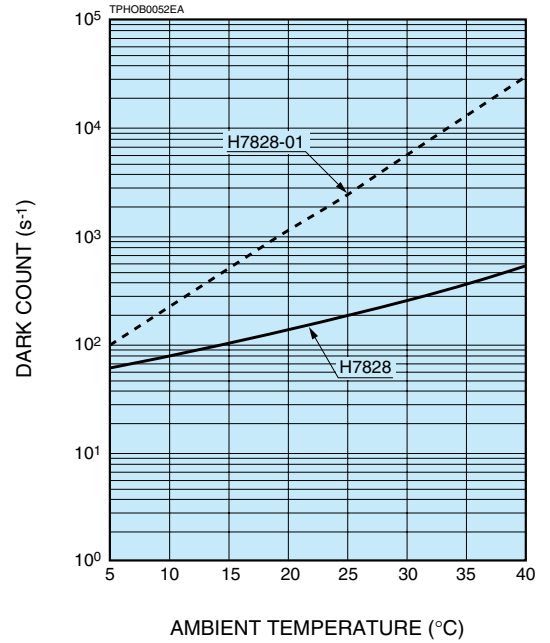
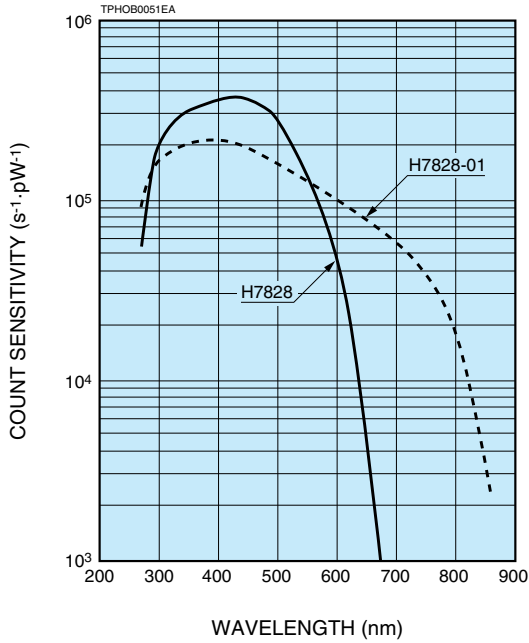
*1: Random pulse, at 10 % count loss

*2: After 30 minutes storage in darkness

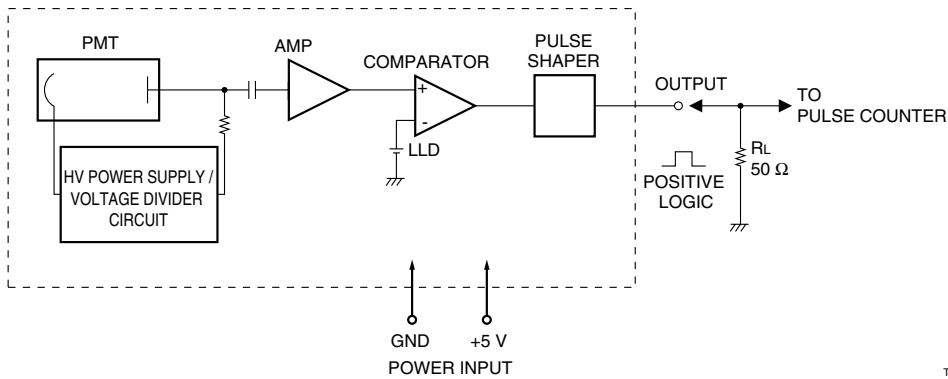
*3: With input voltage +5 V, Load resistance 50 Ω and Coaxial cable RG-174/U (450 mm)

*4: No condensation

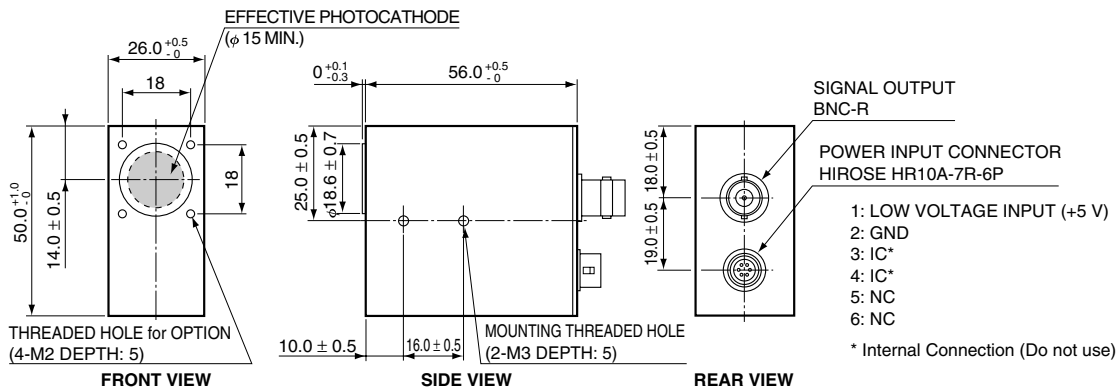
Characteristics (Count sensitivity, Dark count)



Block Diagram



Dimensional Outlines (Unit: mm)



Power cable with connector (HIROSE HR10A-7P-6S) is supplied with H7828 series

