

## FEATURES

The H11432 series is a current-output type photomultiplier tube assembly that contains a 38 mm (1-1/2") diameter head-on PMT and a high voltage power supply. Incident light is efficiently collected by a large photosensitive area, making the H11432 ideal for scintillation counting.



## SPECIFICATIONS

(at +25 °C)

Parameter		H11432	H11432-100	Unit
Spectral Response		300 to 650		nm
Input Voltage		+4.5 to +5.5		V
Max. Input Voltage		+6.0		V
Max. Input Current *1		5.0		mA
Max. Output Signal Current *2		100		μA
Max. Control Voltage		+1.5 (Input impedance 1 MΩ)		V
Recommended Control Voltage Adjustment Range		+0.5 to +1.45		V
Effective Photocathode Area		φ34		mm
Peak Sensitivity Wavelength		420		nm
Cathode	Luminous Sensitivity	Min. 70 Typ. 95	100 130	μA/lm
	Blue Sensitivity Index (CS 5-58)	Typ. 11	13.5	
	Radiant Sensitivity *3	Typ. 88	110	mA/W
Anode	Luminous Sensitivity *2	Min. 5 Typ. 47	— 65	A/lm
	Radiant Sensitivity *2 *3	Typ. 4.4 × 10 <sup>4</sup>	5.5 × 10 <sup>4</sup>	
	Dark Current *2 *4	Typ. 10 Max. 100		nA
Rise Time *2		1.6		ns
Ripple Noise *2 *5 (peak to peak)		Max. 0.3		mV
Settling Time *6		Max. 10		s
Operating Ambient Temperature *7		+5 to +50		°C
Storage Temperature *7		-20 to +50		°C
Weight		135		g

**NOTE:** \*1: At +5 V input voltage, +1.3 V control voltage, and output current equal to dark current

\*2: Control voltage=+1.3 V

\*3: Measured at the peak sensitivity wavelength

\*4: After 30 minutes storage in darkness

\*5: Cable RG-174/U, Cable length 450 mm, Load resistance= 1 MΩ, Load capacitance=22 pF

\*6: The time required for the output to reach a stable level following a change in the control voltage from +1.0 V to +0.5 V.

\*7: No condensation

# PHOTOMULTIPLIER TUBE ASSEMBLIES H11432 SERIES

Figure 1: Typical Spectral Response

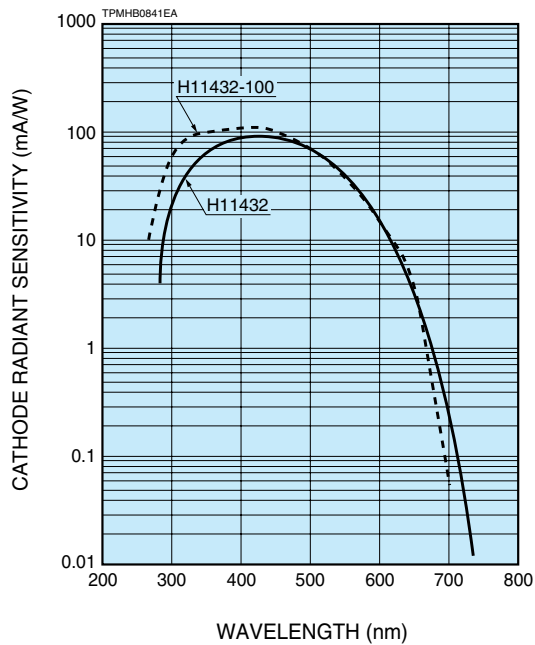


Figure 2: Typical Gain

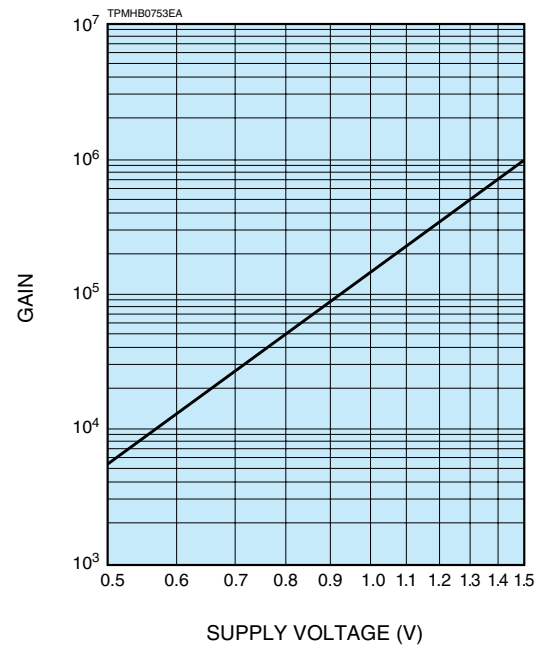


Figure 3: Sensitivity Adjustment Method

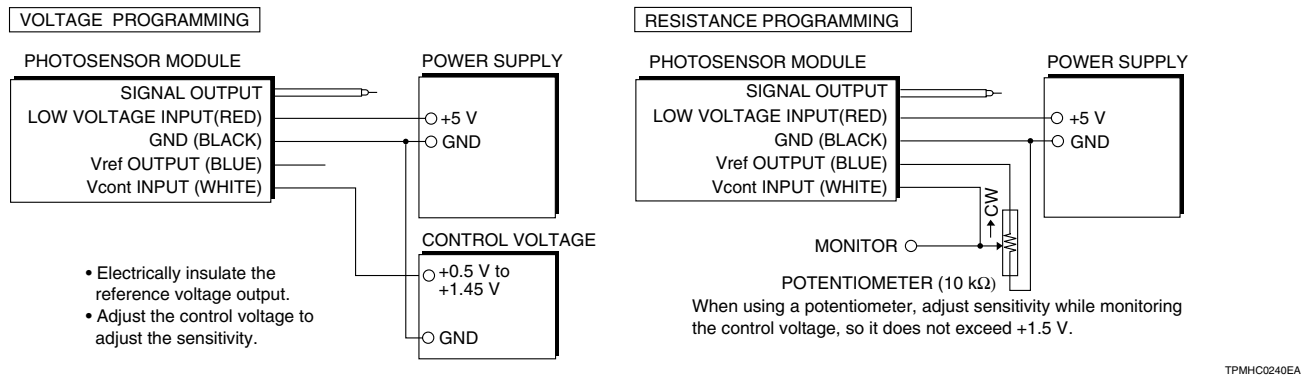
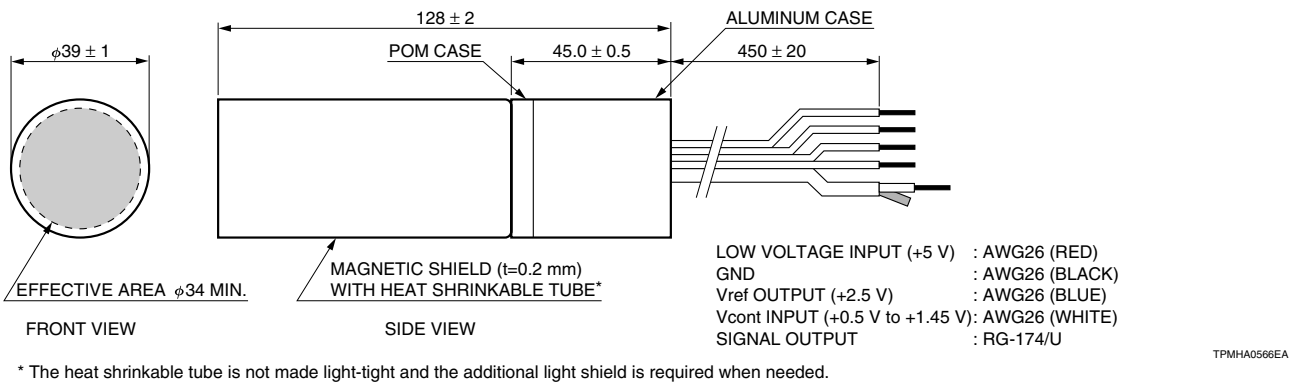


Figure 4: Dimensional Outline (Unit: mm)



\* The heat shrinkable tube is not made light-tight and the additional light shield is required when needed.

## HAMAMATSU PHOTONICS K.K. [www.hamamatsu.com](http://www.hamamatsu.com)

### HAMAMATSU PHOTONICS K.K., Electron Tube Division

314-5, Shimokanzo, Iwata City, Shizuoka Pref., 438-0193, Japan, Telephone: (81)539/62-5248, Fax: (81)539/62-2205

U.S.A.: Hamamatsu Corporation, 360 Foothill Road, P. O. Box 6910, Bridgewater, N.J. 08807-0910, U.S.A., Telephone: (1)908-231-0960, Fax: (1)908-231-1218 E-mail: [usa@hamamatsu.com](mailto:usa@hamamatsu.com)

Germany: Hamamatsu Photonics Deutschland GmbH, Arzbergerstr. 10, D-82211 Herrsching am Ammersee, Germany, Telephone: (49)8152-375-0, Fax: (49)8152-2658 E-mail: [info@hamamatsu.de](mailto:info@hamamatsu.de)

France: Hamamatsu Photonics France S.A.R.L.: 19, Rue du Saule Trapu, Parc du Moulin de Massy, 91882 Massy Cedex, France, Telephone: (33)1 69 53 71 00, Fax: (33)1 69 53 71 10 E-mail: [infos@hamamatsu.fr](mailto:infos@hamamatsu.fr)

United Kingdom: Hamamatsu Photonics UK Limited, 2 Howard Court, 10 Tewin Road Welwyn Garden City Hertfordshire AL7 1BW, United Kingdom, Telephone: 44-(0)1707-294888, Fax: 44(0)1707-325777 E-mail: [info@hamamatsu.co.uk](mailto:info@hamamatsu.co.uk)

North Europe: Hamamatsu Photonics Norden AB: Thorshamnsgatan 35 SE-164 40 Kista, Sweden, Telephone: (46)8-509-031-00, Fax: (46)8-509-031-01 E-mail: [info@hamamatsu.se](mailto:info@hamamatsu.se)

Italy: Hamamatsu Photonics Italia: S.R.L.: Strada della Moia, 1/E, 20020 Arese, (Milano), Italy, Telephone: (39)02-935 81 733, Fax: (39)02-935 81 741 E-mail: [info@hamamatsu.it](mailto:info@hamamatsu.it)

China: Hamamatsu Photonics (China) Co., Ltd.: 1201 Tower B, Jiaming Center, 27 Dongsanhuan Road North, Chaoyang District, Beijing 100020, China, Telephone: (86)10-6586-6006, Fax: (86)10-6586-2866 E-mail: [hpc@hamamatsu.com.cn](mailto:hpc@hamamatsu.com.cn)

TPMH1326E02  
APR. 2013. IP