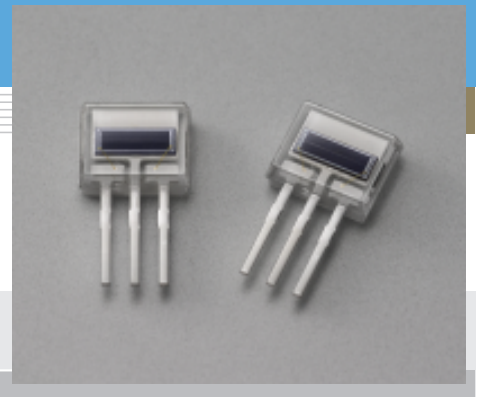


One-dimensional PSD

S8673

One-dimensional PSD using SIP (Single Inline Package)



S8673 is a one-dimensional PSD with a 1.0 × 3.0 mm active area, molded into a SIP (Single Inline Package).

Features

- Thin, miniature plastic package (SIP style)
- Active area: 1.0 × 3.0 mm (resistance length 3.0 mm)

Applications

- Optical switches
- Displacement meters

■ Absolute maximum ratings (Ta=25 °C)

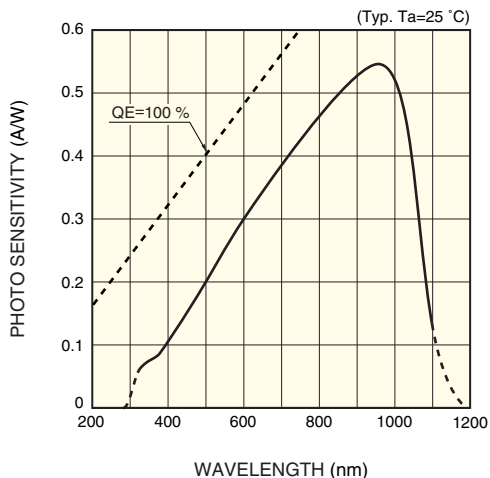
Parameter	Symbol	Value	Unit
Reverse voltage	V _R Max.	20	V
Operating temperature	T _{opr}	-25 to +85	°C
Storage temperature	T _{stg}	-40 to +100	°C

■ Electrical and optical characteristics (Ta=25 °C)

Parameter	Symbol	Condition	Min.	Typ.	Max.	Unit
Spectral response range	λ		-	320 to 1100	-	nm
Peak sensitivity wavelength	λ_p		-	960	-	nm
Photo sensitivity	S	$\lambda=890$ nm	-	0.5	-	A/W
Position detection error	-	V _R =1 V, *	-	±10	±30	μm
Interelectrode resistance	R _{ie}	V _b =0.1 V	100	140	180	kΩ
Dark current	I _D	V _R =1 V	-	0.05	1	nA
Temperature coefficient of I _D	T _{CID}		-	1.15	-	times/°C
Rise time	t _r	V _R =1 V, R _L =1 kΩ $\lambda=650$ nm	-	3	-	μs
Terminal capacitance	C _t	V _R =1 V, f=10 kHz	-	15	30	pF
Saturation photocurrent	I _{st}	V _R =1 V, R _L =1 kΩ	30	-	-	μA

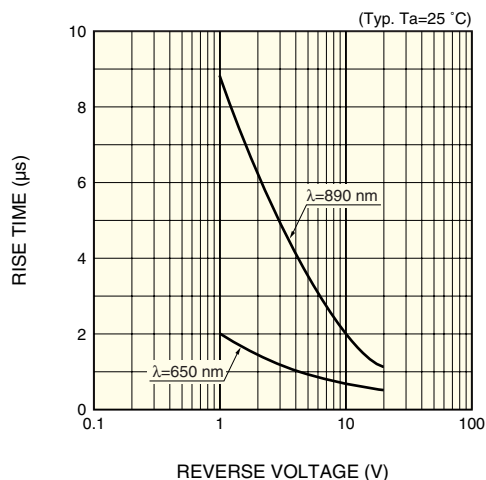
* In the range 75 % from the center of the active area to the edge.

■ Spectral response



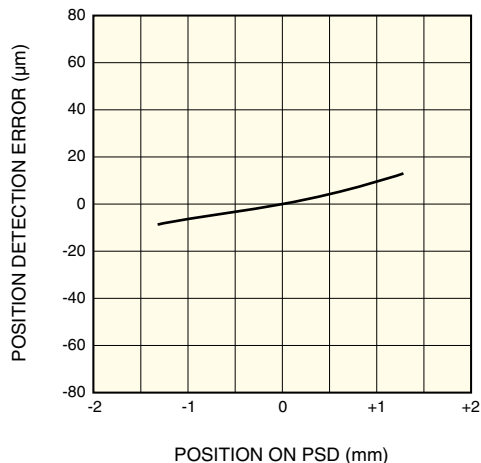
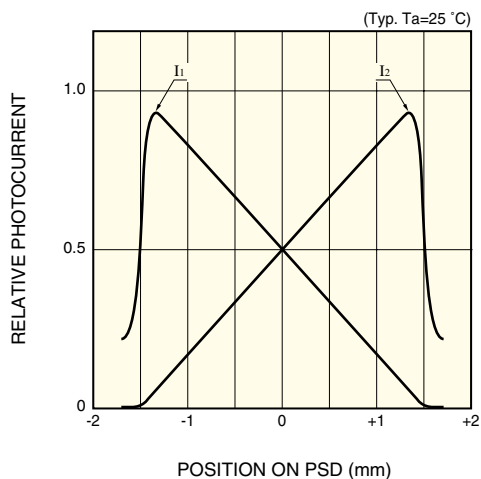
KPSDB0104EA

■ Rise time vs. reverse voltage



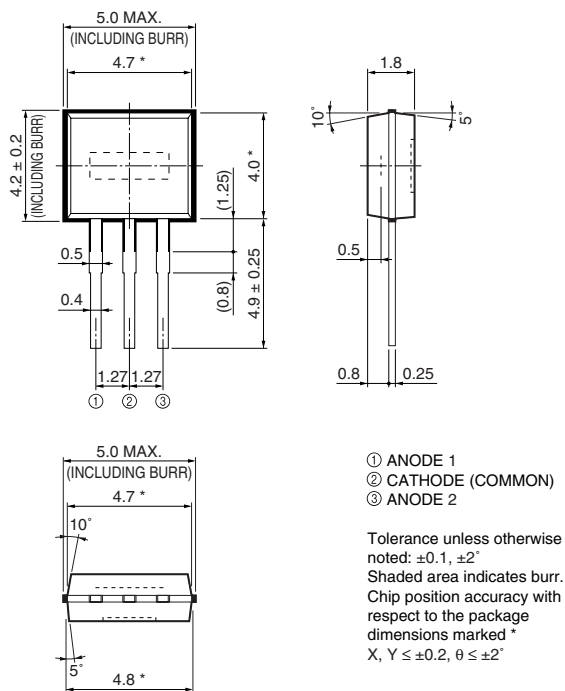
KPSDB0105EA

■ Position detection characteristic example



KPSDB0106EA

■ Dimensional outline (unit: mm)



KPSDA0061EA

HAMAMATSU

Information furnished by HAMAMATSU is believed to be reliable. However, no responsibility is assumed for possible inaccuracies or omissions. Specifications are subject to change without notice. No patent rights are granted to any of the circuits described herein. ©2002 Hamamatsu Photonics K.K.

HAMAMATSU PHOTONICS K.K., Solid State Division

1126-1 Ichino-cho, Higashi-ku, Hamamatsu City, 435-8558 Japan, Telephone: (81) 53-434-3311, Fax: (81) 53-434-5184, <http://www.hamamatsu.com>

U.S.A.: Hamamatsu Corporation: 360 Foothill Road, P.O.Box 6910, Bridgewater, N.J. 08807-0910, U.S.A., Telephone: (1) 908-231-0960, Fax: (1) 908-231-1218

Germany: Hamamatsu Photonics Deutschland GmbH: Arzbergerstr. 10, D-82211 Herrsching am Ammersee, Germany, Telephone: (49) 08152-3750, Fax: (49) 08152-2658

France: Hamamatsu Photonics France S.A.R.L.: 19, Rue du Saule Trapu, Parc du Moulin de Massy, 91882 Massy Cedex, France, Telephone: 33-(1) 69 53 71 00, Fax: 33-(1) 69 53 71 10

United Kingdom: Hamamatsu Photonics UK Limited: 2 Howard Court, 10 Tewin Road, Welwyn Garden City, Hertfordshire AL7 1BW, United Kingdom, Telephone: (44) 1707-294888, Fax: (44) 1707-325777

North Europe: Hamamatsu Photonics Norden AB: Smidesvägen 12, SE-171 41 Solna, Sweden, Telephone: (46) 8-509-031-00, Fax: (46) 8-509-031-01

Italy: Hamamatsu Photonics Italia S.R.L.: Strada della Moia, 1/E, 20020 Arese, (Milano), Italy, Telephone: (39) 02-935-81-733, Fax: (39) 02-935-81-741