

L3882, L6108, L6112 series

High output red LED

Features

- High reliability
- High radiant output power

Applications

- Optical switches, etc.

Absolute maximum ratings (Ta=25 °C)

Type no.	Forward current IF (mA)	Reverse voltage VR (V)	Pulse forward current*1 IFP (A)	Operating temperature Topr (°C)	Storage temperature*2 Tstg (°C)
L3882	80	5	0.8	-30 to +85	-40 to +100
L6108	70		0.6		
L6112					
L6112-01					
L6112-02					

*1: Pulse width=10 μs, duty ratio=1%

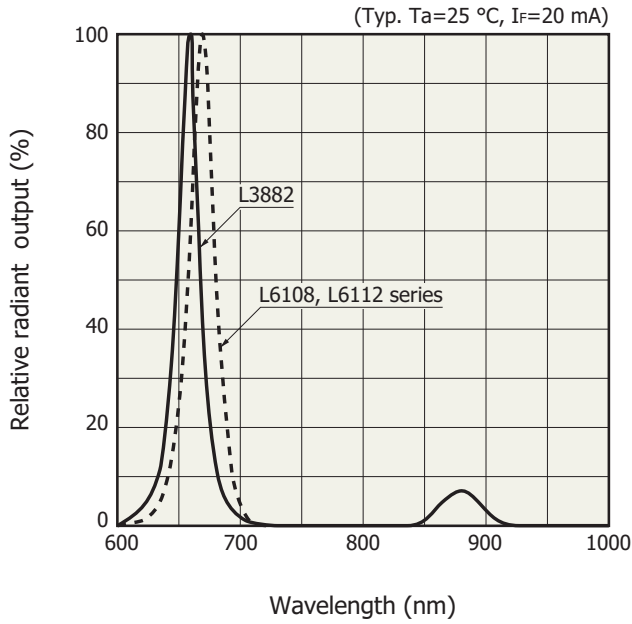
*2: Guaranteed to resist temperature cycle test of up to 5 cycles

Note: Exceeding the absolute maximum ratings even momentarily may cause a drop in product quality. Always be sure to use the product within the absolute maximum ratings.

Electrical and optical characteristics (Typ. Ta=25 °C, unless otherwise noted)

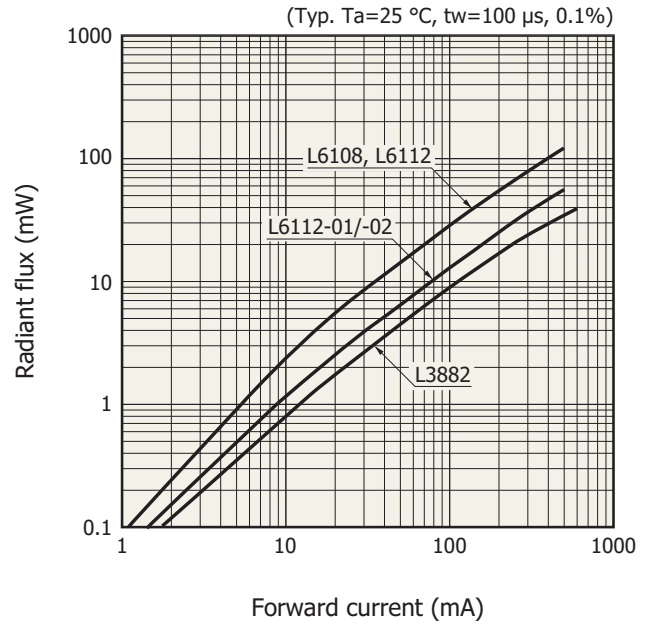
Type no.	Peak emission wavelength λp IF=20 mA			Spectral half width Δλ IF=20 mA (nm)	Forward voltage VF IF=20 mA		Pulse forward voltage VFP IF=IFP		Reverse current IR VR=5 V Max. (μA)	Radiant flux φe IF=20 mA		Radiant illuminance PE IF=50 mA (mW/cm ²)	Cutoff frequency fc IF=50 mA + 1 mAp-p (MHz)	
	Min. (nm)	Typ. (nm)	Max. (nm)		Typ. (V)	Max. (V)	Typ. (V)	Max. (V)		Min. (mW)	Typ. (mW)			
L3882	640	660	685	20	1.8	2.0	5.0	7.0	20	1.4	1.8	0.3	4.0	
L6108	650	670	700	25		2.1	4.9			20	4.0	5.5		0.5
L6112											1.8	2.5		1.5
L6112-01														4.0
L6112-02														1.5

Emission spectrum



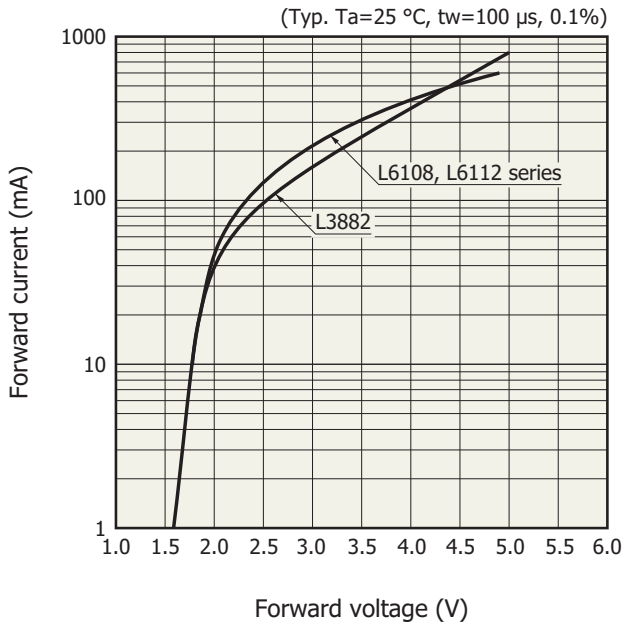
KLEDB0185EA

Radiant flux vs. forward current



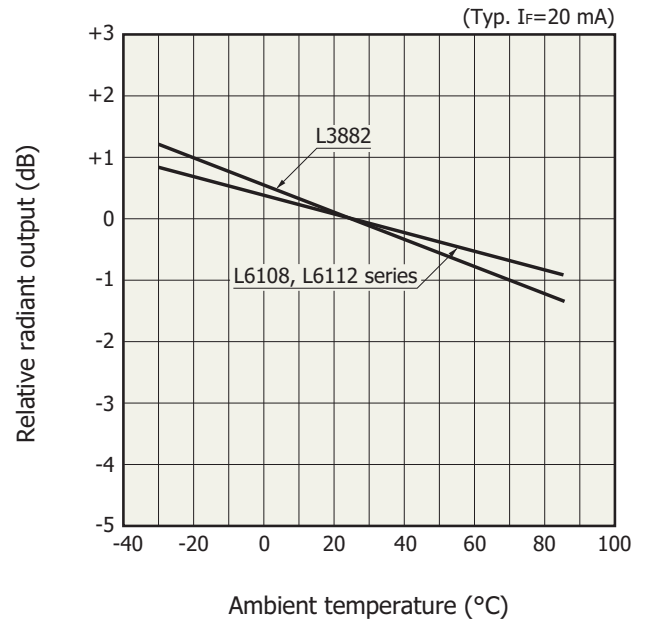
KLEDB0186EB

Forward current vs. forward voltage



KLEDB0187EA

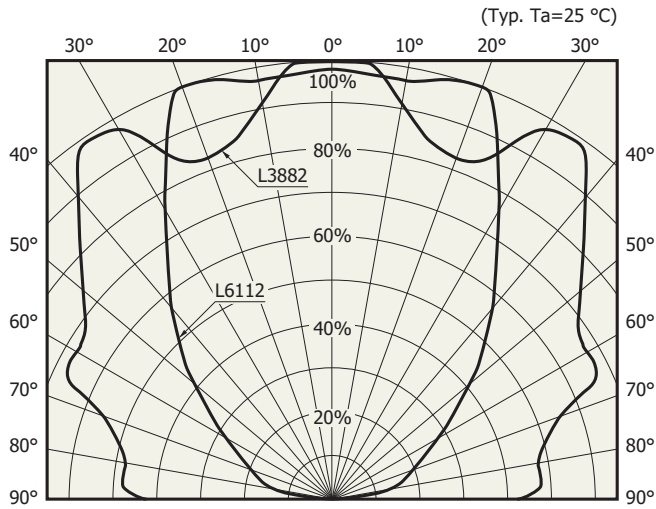
Radiant output vs. ambient temperature



KLEDB0188EA

Directivity

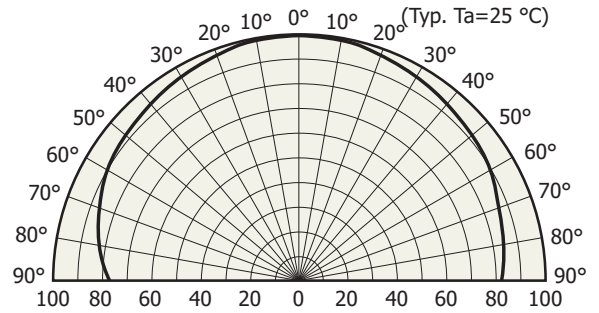
L3882, L6112



Relative radiant output (%)

KLEDB0189EA

L6108

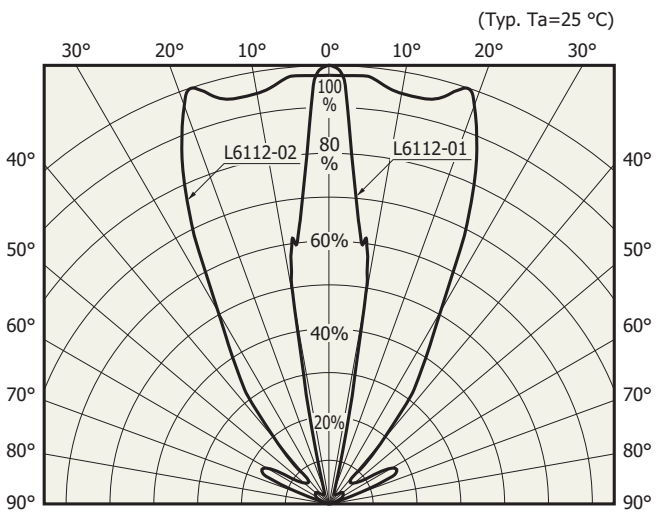


Relative radiant output (%)

Except for reflection ingredient of the base

KLEDB0190EA

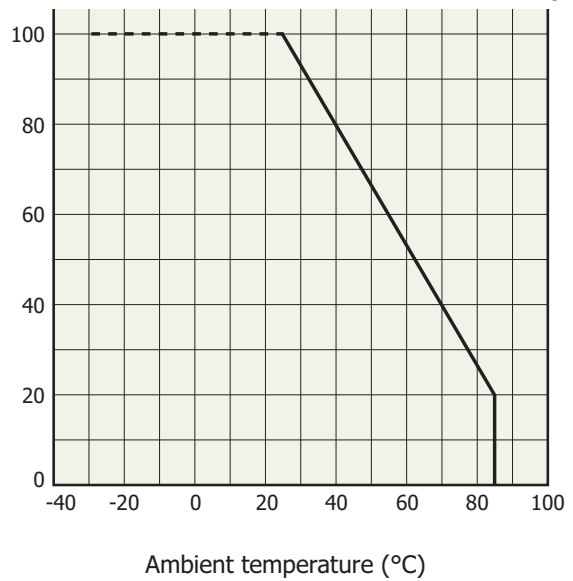
L6112-01/-02



Relative radiant output (%)

KLEDB0191EA

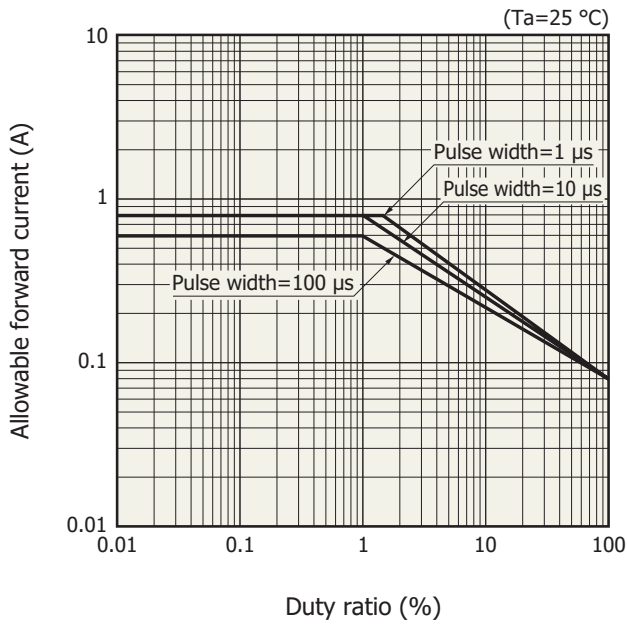
Allowable forward current vs. ambient temperature



KLEDB0027EC

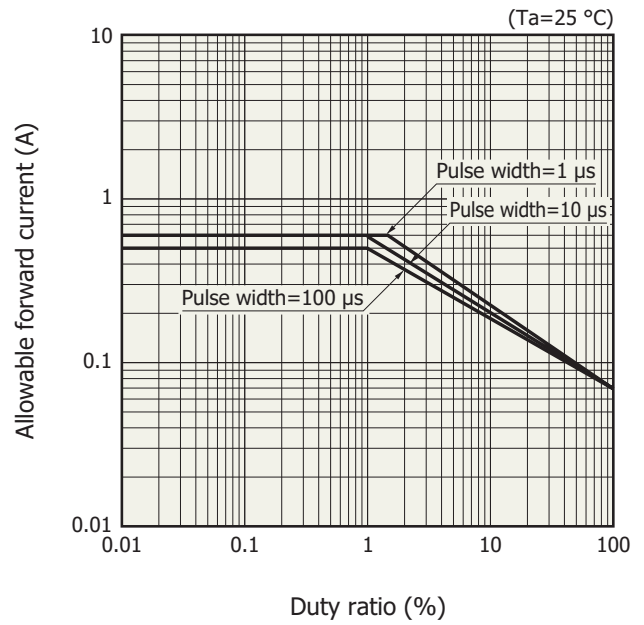
Allowable forward current vs. duty ratio

L3882



KLEDB0192EB

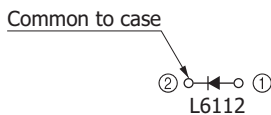
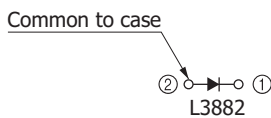
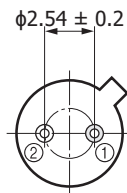
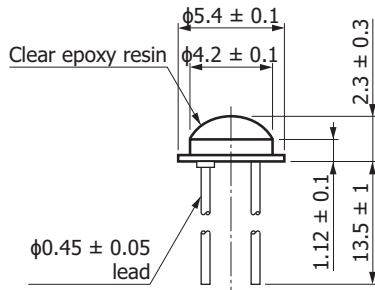
L6108, L6112 series



KLEDB0193EB

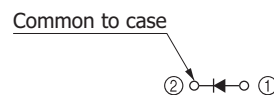
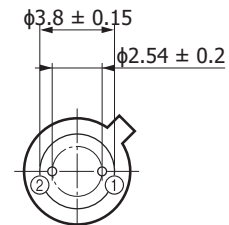
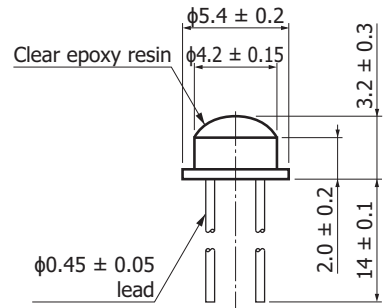
Dimensional outlines (unit: mm)

L3882, L6112



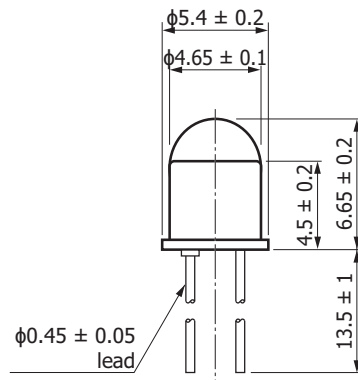
KLEDA0063EB

L6108



KLEDA0030ED

L6112-01

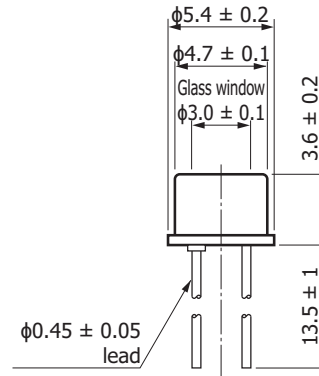


Common to case



KLEDA0064EC

L6112-02



Common to case



KLEDA0065EB

Related information

www.hamamatsu.com/sp/ssd/doc_en.html

Precautions

- Disclaimer
- Metal, ceramic, plastic products

Information described in this material is current as of August 2016.

Product specifications are subject to change without prior notice due to improvements or other reasons. This document has been carefully prepared and the information contained is believed to be accurate. In rare cases, however, there may be inaccuracies such as text errors. Before using these products, always contact us for the delivery specification sheet to check the latest specifications.

The product warranty is valid for one year after delivery and is limited to product repair or replacement for defects discovered and reported to us within that one year period. However, even if within the warranty period we accept absolutely no liability for any loss caused by natural disasters or improper product use. Copying or reprinting the contents described in this material in whole or in part is prohibited without our prior permission.

HAMAMATSU

www.hamamatsu.com

HAMAMATSU PHOTONICS K.K., Solid State Division

1126-1 Ichino-cho, Higashi-ku, Hamamatsu City, 435-8558 Japan, Telephone: (81) 53-434-3311, Fax: (81) 53-434-5184

U.S.A.: Hamamatsu Corporation: 360 Foothill Road, Bridgewater, N.J. 08807, U.S.A., Telephone: (1) 908-231-0960, Fax: (1) 908-231-1218

Germany: Hamamatsu Photonics Deutschland GmbH: Arzbergerstr. 10, D-82211 Herrsching am Ammersee, Germany, Telephone: (49) 8152-375-0, Fax: (49) 8152-265-8

France: Hamamatsu Photonics France S.A.R.L.: 19, Rue du Saule Trapu, Parc du Moulin de Massy, 91882 Massy Cedex, France, Telephone: 33-(1) 69 53 71 00, Fax: 33-(1) 69 53 71 10

United Kingdom: Hamamatsu Photonics UK Limited: 2 Howard Court, 10 Tewin Road, Welwyn Garden City, Hertfordshire AL7 1BW, United Kingdom, Telephone: (44) 1707-294888, Fax: (44) 1707-325777

North Europe: Hamamatsu Photonics Norden AB: Torshamnsgatan 35 16440 Kista, Sweden, Telephone: (46) 8-509-031-00, Fax: (46) 8-509-031-01

Italy: Hamamatsu Photonics Italia S.r.l.: Strada della Moia, 1 int. 6, 20020 Arese (Milano), Italy, Telephone: (39) 02-93581733, Fax: (39) 02-93581741

China: Hamamatsu Photonics (China) Co., Ltd.: B1201, Jianning Center, No.27 Dongsanhuan Beilu, Chaoyang District, Beijing 100020, China, Telephone: (86) 10-6586-6006, Fax: (86) 10-6586-2866