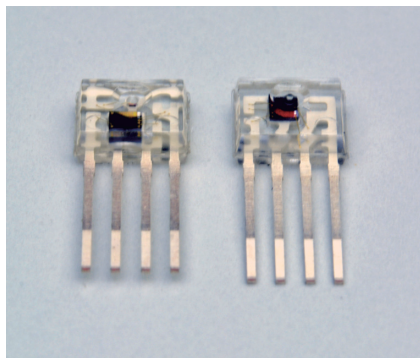


Photo IC for optical link



L12557-01SR, S12423-01SR

Transmitter/receiver photo IC for DC to 10 Mbps optical link

The L12557-01SR transmitter photo IC combines a 650 nm red LED, which is suitable for plastic optical fiber (POF) communication, and a driver IC. It has a mini molded lens suitable for coupling to the POF. It supports communication speeds ranging from DC to 10 Mbps. The S12423-01SR receiver photo IC has monolithically integrated PIN photodiode and signal processing circuit. It features small size and strong resistance to electromagnetic induction noise. The S12423-01SR generates digital output (CMOS).

Features

L12557-01SR

- Transmitter photo IC
- Peak emission wavelength: 650 nm
- Supports DC to 10 Mbps communication

S12423-01SR

- Receiver photo IC
- Supports DC to 10 Mbps communication
- Monolithic photo IC featuring strong resistance to electromagnetic induction noise
- Digital output (CMOS)

Applications

- Data transmission in harsh, noisy environments, such as in FA and OA.
- High-speed, short-distance data transmission
- Highly bursty data transmission

Absolute maximum ratings

Parameter	Symbol	Condition	Value	Unit	
Supply voltage	L12557-01SR	Vcc	-0.5 to +7.0	V	
	S12423-01SR		-0.5 to +4.0		
Input voltage	L12557-01SR	Vin	-0.5 to Vcc+0.5	V	
Output voltage	S12423-01SR	Vo	-0.5 to Vcc+0.5	V	
Power dissipation*1		Pmax	250	mW	
Operating temperature		Topr	No condensation*2	-20 to +85	°C
Storage temperature		Tstg	No condensation*2	-40 to +85	°C
Soldering conditions		Tsol	230 °C, within 5 s, at least 2 mm away from lead roots		

*1: Power dissipation decreases at a rate of 1.75 mW/°C above Ta=25 °C.

*2: When there is a temperature difference between a product and the surrounding area in high humidity environment, dew condensation may occur on the product surface. Dew condensation on the product may cause deterioration in characteristics and reliability.

Note: Exceeding the absolute maximum ratings even momentarily may cause a drop in product quality. Always be sure to use the product within the absolute maximum ratings.

Recommended operating conditions

Parameter	Symbol	Min.	Typ.	Max.	Unit
Supply voltage	L12557-01SR	4.75	5.0	5.25	V
	S12423-01SR	3.135	3.3	3.465	
High level input voltage	L12557-01SR	Vih	-	Vcc + 0.3	V
Low level input voltage		Vil	-0.3	0.8	
High level output current	S12423-01SR	Ioh	-	0	mA
Low level output current		Iol	0	-	

L12557-01SR

Electrical and optical characteristics (Ta=25 °C, Vcc=4.75 to 5.25 V, unless otherwise noted)

Parameter	Symbol	Condition	Min.	Typ.	Max.	Unit
Current consumption	Icc	Vin=2.0 V	-	-	40	mA
Data transmission rate	fD	Biphase signal (NRZ conversion)	DC	-	10	Mbps
Peak emission wavelength	λ_p		630	650	670	nm
Temperature coefficient for peak emission wavelength	Tc λ		-	0.13	-	nm/°C
Spectral half width (FWHM)	$\Delta\lambda$		-	20	30	nm
Fiber coupling optical output	Po	Peak value*3	-10.0	-	-1.0	dBm
Rise time	tr	20 to 80%*3 *4 *5	-	-	20	ns
Fall time	tf	80 to 20 %*3 *4 *5	-	-	20	ns
Pulse width distortion	ΔTw	50%*3 *4 *5	-15	-	+15	ns
Jitter	Δtj	*3 *4 *5	-	-	20	ps

*3: For the fiber, use Mitsubishi Rayon GH4001 (ϕ 1 mm, SI-POF, NA=0.5, 1 m).

*4: For the input signal, a 10 Mbps pseudo-random biphase signal is assumed.

*5: Defined using the average at 50% duty ratio.

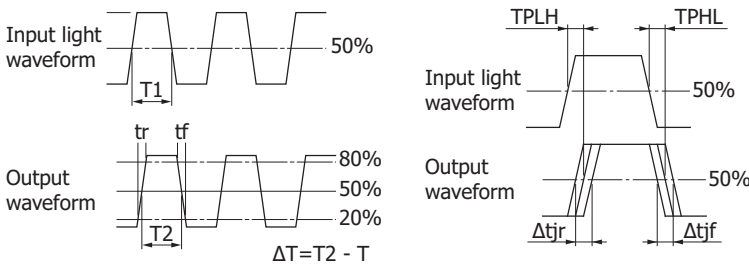
S12423-01SR

Electrical and optical characteristics (Ta=25 °C, Vcc=3.135 to 3.465 V, unless otherwise noted)

Parameter	Symbol	Condition	Min.	Typ.	Max.	Unit	
Data rate	fD	Biphase signal (NRZ conversion)	DC	-	10	Mbps	
Current consumption	Icc	No optical input	-	-	40	mA	
Maximum reception level	Pi max	Peak value*6	2	-	-	dBm	
Minimum reception level	Pi min	Peak value, Pe=10 ⁻⁷ *6	-	-	-20	dBm	
Output voltage	High level output voltage	Voh Ioh=-150 μ A	2.7	-	-	V	
	Low level output voltage	Vol Iol=1.6 mA	-	-	0.4	V	
	Rise time	tr	20% to 80%*4 *7	-	-	20	ns
	Fall time	tf	20% to 80%*4 *7	-	-	20	ns
Pulse width distortion	Δt	*4 *6 *7	-25	-	+25	ns	
Jitter	Δtj	*4 *6 *7	-	-	20	ns	

*6: A signal generated by a Hamamatsu's standard signal generator is assumed for the optical input signal.

*7: CL=5 pF (including parasitic capacitance of probe, connector, and printed circuit board)



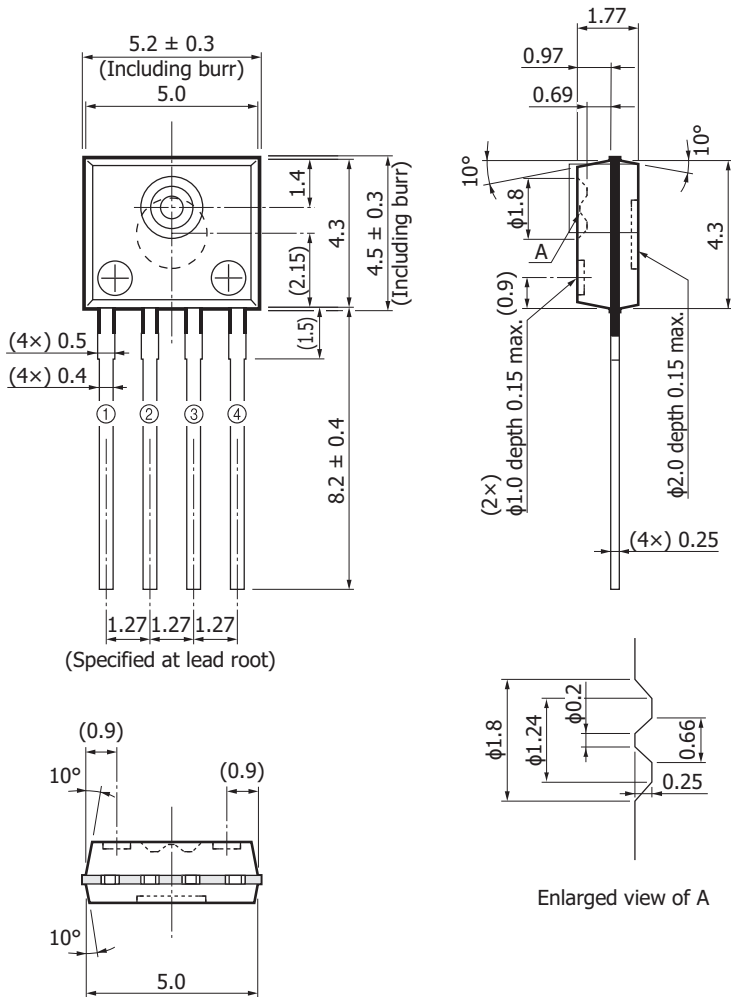
Parameter	Symbol	Measurement method
Rising edge jitter	Δt_{jr}	Set the trigger to the PPG CLK, and measure the jitter in the rising edge of the output.
Falling edge jitter	Δt_{jf}	Set the trigger to PPG CLK, and measure the jitter in the falling edge of the output.
Jitter	Δt_j	Set Δt_j to the larger of the two jitter values: Δt_{jr} and Δt_{jf} .

KPIC0250EA

Note: [L12557-01SR, S12423-01SR]

- Connect a 0.1 μ F bypass capacitor within 3 mm of this element's lead (between Vcc and GND). In addition, connect a 4.7 μ F capacitor.
- Align the center axes of the fiber and package lens, and make the gap between the fiber and the optical reference plane of the lens surface 0.1 mm.

Dimensional outline (unit: mm)



Pin no.	L12557-01SR	S12423-01SR
①	Vin	Vout
②	GND	GND
③	GND	Vcc
④	Vcc	Vcc

Tolerance unless otherwise noted: ± 0.1 , $\pm 2^\circ$
 Shaded area indicates burr.
 Values in parentheses indicate reference values.

Standard packing type
 Plastic tray (100 pcs/tray)
 Material: PVC (conductive)

KPICA0096EA

Related information

www.hamamatsu.com/sp/ssd/doc_en.html

- Precautions
- Disclaimer
- Metal, ceramic, plastic products

Information described in this material is current as of March, 2015.

Product specifications are subject to change without prior notice due to improvements or other reasons. This document has been carefully prepared and the information contained is believed to be accurate. In rare cases, however, there may be inaccuracies such as text errors. Before using these products, always contact us for the delivery specification sheet to check the latest specifications.

The product warranty is valid for one year after delivery and is limited to product repair or replacement for defects discovered and reported to us within that one year period. However, even if within the warranty period we accept absolutely no liability for any loss caused by natural disasters or improper product use. Copying or reprinting the contents described in this material in whole or in part is prohibited without our prior permission.

HAMAMATSU

www.hamamatsu.com

HAMAMATSU PHOTONICS K.K., Solid State Division

1126-1 Ichino-cho, Higashi-ku, Hamamatsu City, 435-8558 Japan, Telephone: (81) 53-434-3311, Fax: (81) 53-434-5184

U.S.A.: Hamamatsu Corporation: 360 Foothill Road, Bridgewater, N.J. 08807, U.S.A., Telephone: (1) 908-231-0960, Fax: (1) 908-231-1218

Germany: Hamamatsu Photonics Deutschland GmbH: Arzbergerstr. 10, D-82211 Herrsching am Ammersee, Germany, Telephone: (49) 8152-375-0, Fax: (49) 8152-265-8

France: Hamamatsu Photonics France S.A.R.L.: 19, Rue du Saule Trapu, Parc du Moulin de Massy, 91882 Massy Cedex, France, Telephone: 33-(1) 69 53 71 00, Fax: 33-(1) 69 53 71 10

United Kingdom: Hamamatsu Photonics UK Limited: 2 Howard Court, 10 Tewin Road, Welwyn Garden City, Hertfordshire AL7 1BW, United Kingdom, Telephone: (44) 1707-294888, Fax: (44) 1707-325777

North Europe: Hamamatsu Photonics Norden AB: Torshamnsgatan 35 16440 Kista, Sweden, Telephone: (46) 8-509-031-00, Fax: (46) 8-509-031-01

Italy: Hamamatsu Photonics Italia S.r.l.: Strada della Moia, 1 int. 6, 20020 Arese (Milano), Italy, Telephone: (39) 02-93581733, Fax: (39) 02-93581741

China: Hamamatsu Photonics (China) Co., Ltd.: B1201, Jiaming Center, No.27 Dongsanhuan Beilu, Chaoyang District, Beijing 100020, China, Telephone: (86) 10-6586-6006, Fax: (86) 10-6586-2866